



Metal Lining Horizontal Slurry Pump Sand Experienced High Pressure Mud Dewatering

Our Product Introduction

Basic Information

- Place of Origin: Sichuan, China
- Brand Name: horizontal-slurrypump.com
- Certification: ISO9001
- Model Number: OEM
- Minimum Order Quantity: 1 set
- Price: USD500-5000/set
- Packaging Details: free fumigation export wooden box packaging
- Delivery Time: 25 working days after receiveing advance payment
- Payment Terms: L/C, D/A, D/P, T/T, Western Union, MoneyGram, Paypal
- Supply Ability: 300 sets per month



Product Specification

- Theory: Centrifugal Pump
- Capacity: Up To 3000 M³/h
- Head: Up To 130 M
- Structure: Single-stage Horizontal
- Speed: 1450rpm~2900rpm
- Material: Chrome Alloy
- Highlight: **centrifugal mud pump**



More Images



for more products please visit us on horizontal-slurrypump.com

Product Description

Metal Lining Horizontal Slurry Pump , Sand Experienced High Pressure Mud Pump

Product Description

ZJ-series is single stage single-suction cantilever centrifugal slurry pump.

ZJ-series pumps are in accordance with the theory of two-phase fluids and they are designed according to the principle of minimizing the total loss.

Geometrical shape of its flow passage components is suitable for flow condition of medium. In this way, the hydraulic loss among parts where eddy and impacting occur is reduced so that abrasion of flow passage components is reduced; water efficiency is increased; running noises and vibration are reduced.

High-alloy cast iron, which has high wear resistance, corrosion resistance and impact resistance, is used for flow passage components to improve service life.

Application

Mining and mineral processing
 Heavy duty and abrasive slurries
 Mill discharge
 Sand and gravel
 Slurry transfer
 Cyclone feed
 Dredging
 Boost pumps



Product Details

| | |
|----------------------------|----------------------------|
| Discharge Size: | 20mm~350mm |
| Inlet Size: | 32mm~400mm |
| Capacity: | 4 ~ 3000 m ³ /h |
| Head: | 10 ~ 130 m |
| Maximal Efficiency: | 70% |
| NPSH: | 0m~3m |
| Allowable Max Motor Power: | 315 kw |
| Allowed Max Particle Size: | 20 mm |
| Seal Type: | step-down dynamic seal |
| Pump Weight: | up to 3000kg |
| RPM: | 1450 r/min |

Parameter

| Model | Clear Water Performance | | | | |
|--------------|-------------------------|------------|------------------|------------------|----------------------|
| | Flow Q | Head | Rotating speed n | Shaft power (Pa) | Effectiveness η |
| | (m ³ /h) | m | r/min | kw | % |
| 300ZJ(G)-I-A | 704-2333 | 30.6-80 | 490-980 | 135-505 | 66-81 |
| 250ZJ(G)-I-A | 405-1480 | 29.1-128.7 | 730-980 | 58.3-652 | 54-76.9 |
| 200ZJ(G)-I-A | 256-976 | 28-133.7 | 730-980 | 60.3-448.1 | 50-79.6 |
| 150ZJ(G)-I-A | 164-600 | 19.4-91.2 | 730-980 | 15.8-161.5 | 46.1-74.6 |
| 100ZJ(G)-I-A | 86-360 | 16-100.2 | 980-1480 | 6.7-105.5 | 58.7-70.4 |
| 80ZJ(G)-I-A | 60-242 | 15.7-109.8 | 980-1480 | 5.5-115.9 | 38.8-66.7 |
| 65ZJ(G)-I-A | 28-69 | 11.2-34.8 | 960-1460 | 1.7-10.8 | 54.2-63.5 |
| 50ZJ(G)-I-A | 31-111 | 34.3-110.7 | 970-1480 | 9.7-66.9 | 12.2-45.1 |
| 40ZJ(G)-I-A | 9-23 | 9.1-44.6 | 1400-2900 | 0.3-4.7 | 33.2-52.4 |

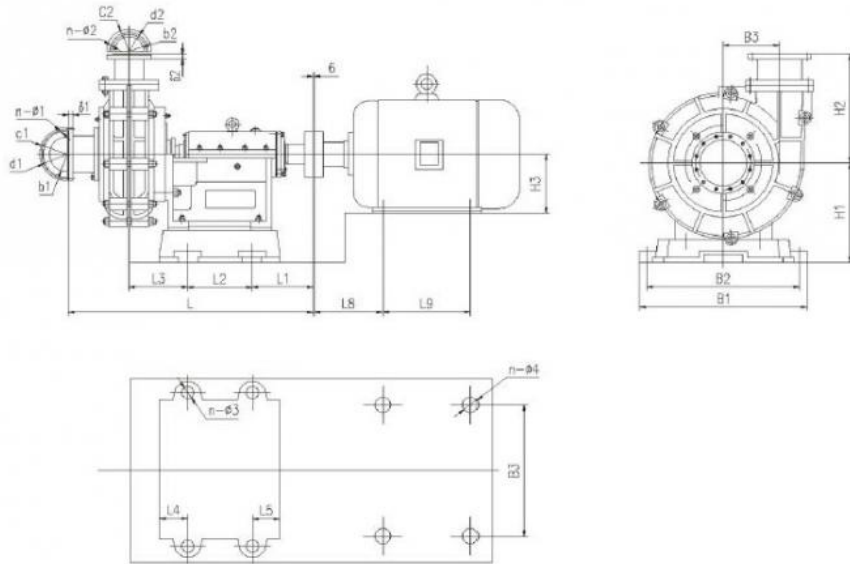
More Details

- 1) Bearing assembly- large diameter shaft with short overhang contributes to long bearing life.
- 2) Liners – easily replaceable liners are bolted, not glued to the casing for positive maintenance.
- 3) Casing – casing halves of cast or ductile iron provide high operating pressure capabilities.
- 4) Impeller – front and rear shrouds have pump out vanes that reduce recirculation and seal contamination.
- 5) Throat bush – wear is reduced and maintenance simplified by the use of tapered.

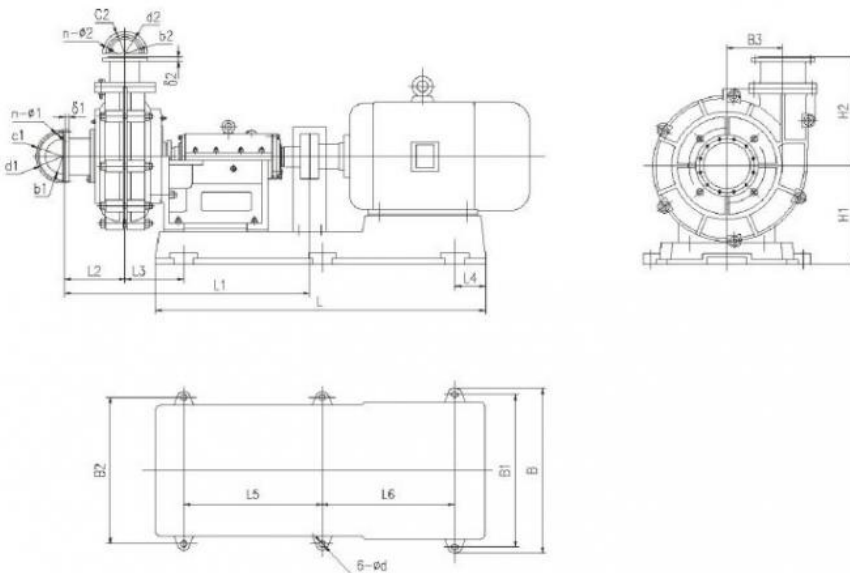


Installation Dimension

Single base



Sharing Base



Metal Lining Horizontal Slurry Pump , Sand Experienced High Pressure Mud Pump

Product Description

ZJ-series is single stage single-suction cantilever centrifugal slurry pump.

ZJ-series pumps are in accordance with the theory of two-phase fluids and they are designed according to the principle of minimizing the total loss.

Geometrical shape of its flow passage components is suitable for flow condition of medium. In this way, the hydraulic loss among parts where eddy and impacting occur is reduced so that abrasion of flow passage components is reduced; water efficiency is increased; running noises and vibration are reduced

High-alloy cast iron, which has high wear resistance, corrosion resistance and impact resistance, is used for flow passage components to improve service life.

Application

- Mining and mineral processing
- Heavy duty and abrasive slurries
- Mill discharge
- Sand and gravel
- Slurry transfer
- Cyclone feed
- Dredging

Boost pumps



Product Details

| | |
|----------------------------|----------------------------|
| Discharge Size: | 20mm~350mm |
| Inlet Size: | 32mm~400mm |
| Capacity: | 4 ~ 3000 m ³ /h |
| Head: | 10 ~ 130 m |
| Maximal Efficiency: | 70% |
| NPSH: | 0m~3m |
| Allowable Max Motor Power: | 315 kw |
| Allowed Max Particle Size: | 20 mm |
| Seal Type: | step-down dynamic seal |
| Pump Weight: | up to 3000kg |
| RPM: | 1450 r/min |

Parameter

| Model | Clear Water Performance | | | | |
|--------------|-------------------------|------------|------------------|------------------|----------------------|
| | Flow Q | Head | Rotating speed n | Shaft power (Pa) | Effectiveness η |
| | (m ³ /h) | m | r/min | kw | % |
| 300ZJ(G)-I-A | 704-2333 | 30.6-80 | 490-980 | 135-505 | 66-81 |
| 250ZJ(G)-I-A | 405-1480 | 29.1-128.7 | 730-980 | 58.3-652 | 54-76.9 |
| 200ZJ(G)-I-A | 256-976 | 28-133.7 | 730-980 | 60.3-448.1 | 50-79.6 |
| 150ZJ(G)-I-A | 164-600 | 19.4-91.2 | 730-980 | 15.8-161.5 | 46.1-74.6 |
| 100ZJ(G)-I-A | 86-360 | 16-100.2 | 980-1480 | 6.7-105.5 | 58.7-70.4 |
| 80ZJ(G)-I-A | 60-242 | 15.7-109.8 | 980-1480 | 5.5-115.9 | 38.8-66.7 |
| 65ZJ(G)-I-A | 28-69 | 11.2-34.8 | 960-1460 | 1.7-10.8 | 54.2-63.5 |
| 50ZJ(G)-I-A | 31-111 | 34.3-110.7 | 970-1480 | 9.7-66.9 | 12.2-45.1 |
| 40ZJ(G)-I-A | 9-23 | 9.1-44.6 | 1400-2900 | 0.3-4.7 | 33.2-52.4 |

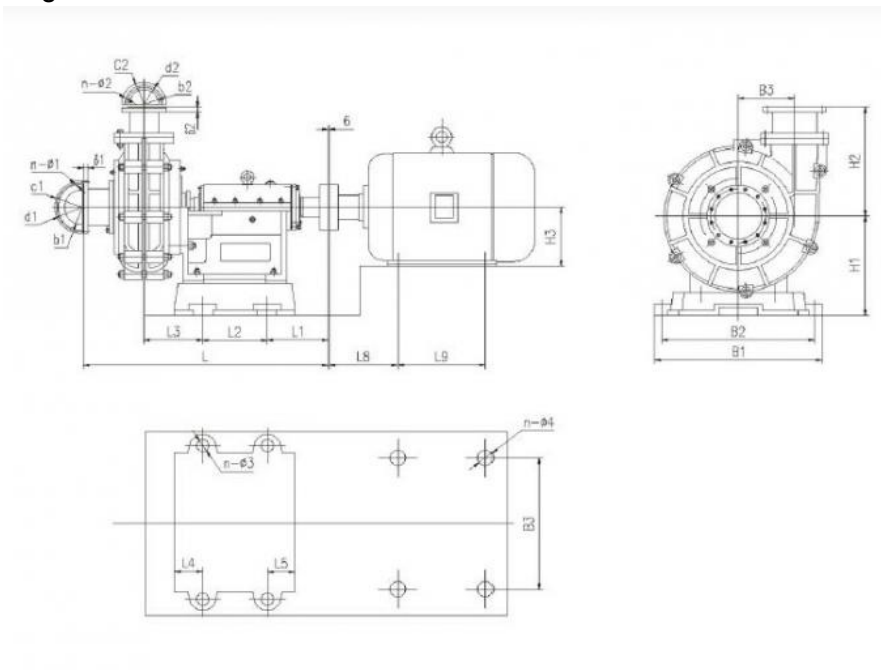
More Details

- 1) Bearing assembly- large diameter shaft with short overhang contributes to long bearing life.
- 2) Liners – easily replaceable liners are bolted, not glued to the casing for positive maintenance.
- 3) Casing – casing halves of cast or ductile iron provide high operating pressure capabilities.
- 4) Impeller – front and rear shrouds have pump out vanes that reduce recirculation and seal contamination.
- 5) Throat bush – wear is reduced and maintenance simplified by the use of tapered.

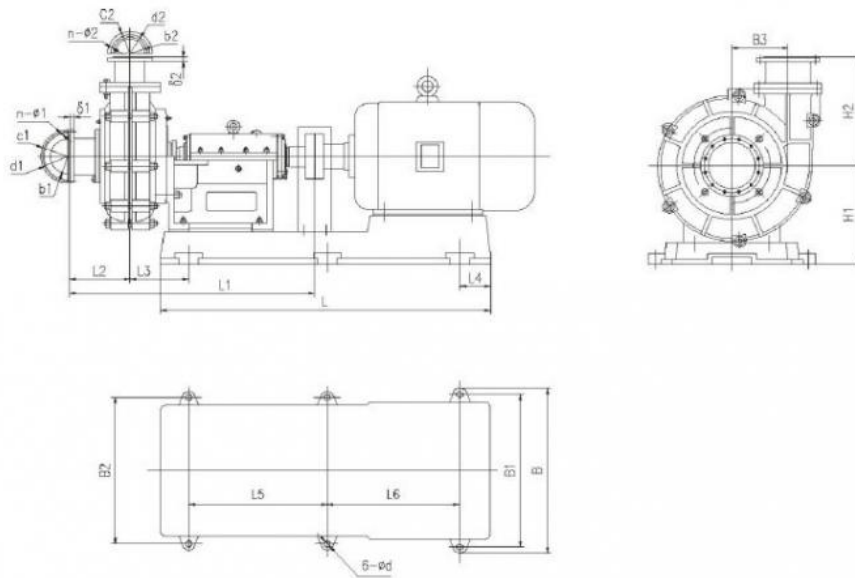


Installation Dimension

Single base



Sharing Base



 **ROMAN Beijing Silk Road Enterprise Management Services Co.,LTD**

 0086-17773109286

 jeffreyth@slurrypump.com

 horizontal-slurrypump.com

Floor 5, 2nd Building, Zhonglu Industrial Zone, Shenzhen City, Guangdong Province China (Mainland)